



FREESTANDING TUB

Maintenance & Instructions



MODEL NO:MY-1857

This installation guide covers the following SKU number:6714634



Questions, problems, missing parts?

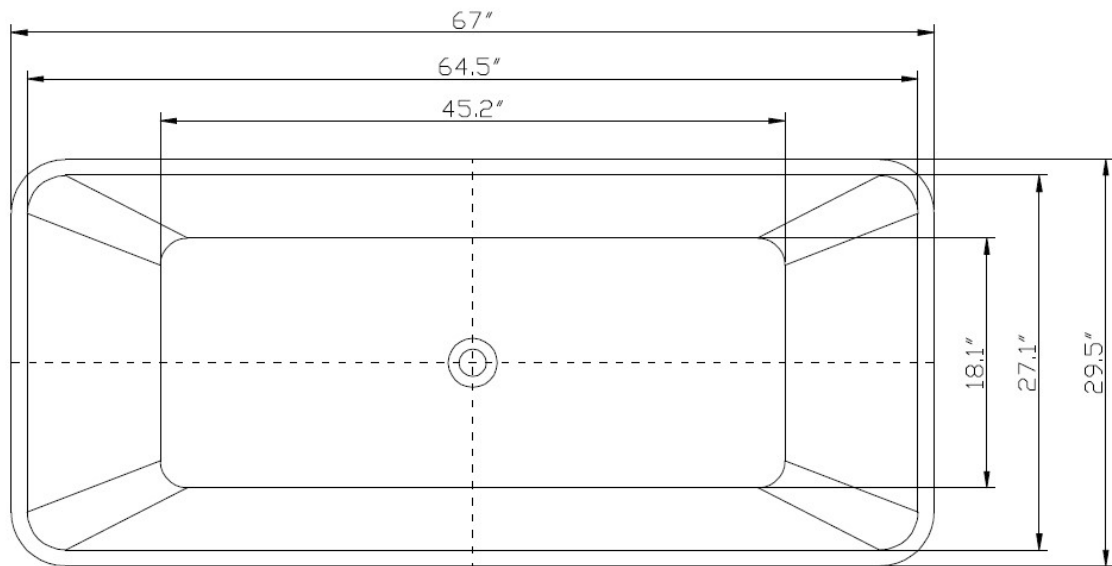
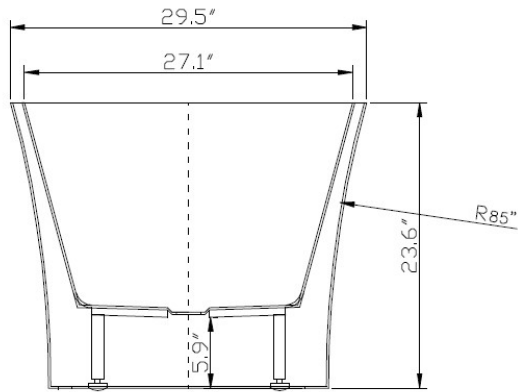
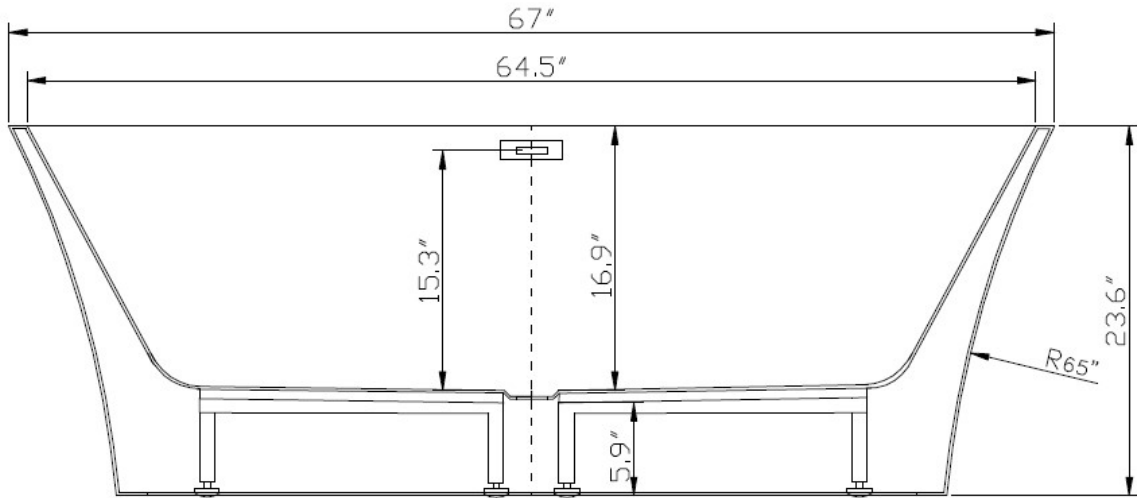
Before returning to your retailer, call our customer service department at
001(630)350-0101, 9 a.m. - 5 p.m., EST, Monday to Friday
Superior Brands Corp. 1325 W. Irving Park Rd. Bensenville,IL 60106 U.S.A.

Please retain this manual after installation for future reference and maintenance

Product must be installed in compliance with relevant Water Bylaws

Important: Two people are required for installation

DRAWING



TOOLS AND MATERIALS:



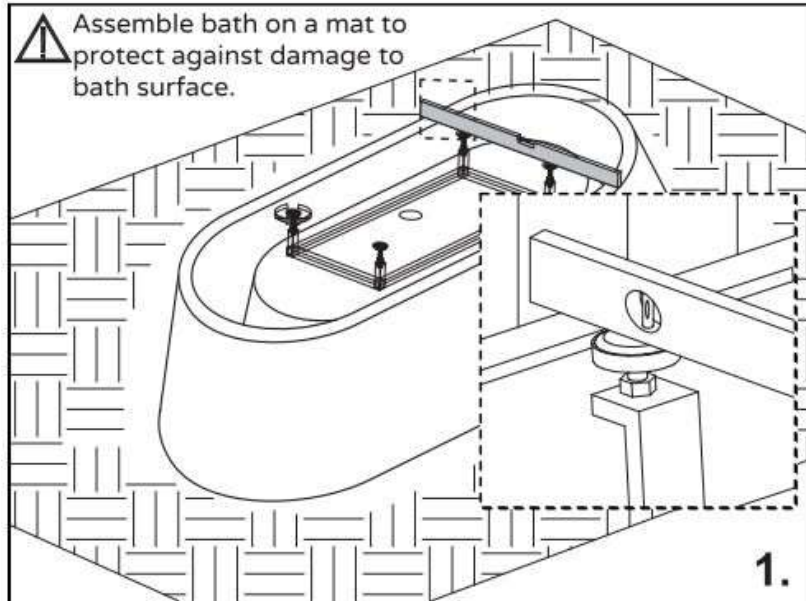
Pencil

level

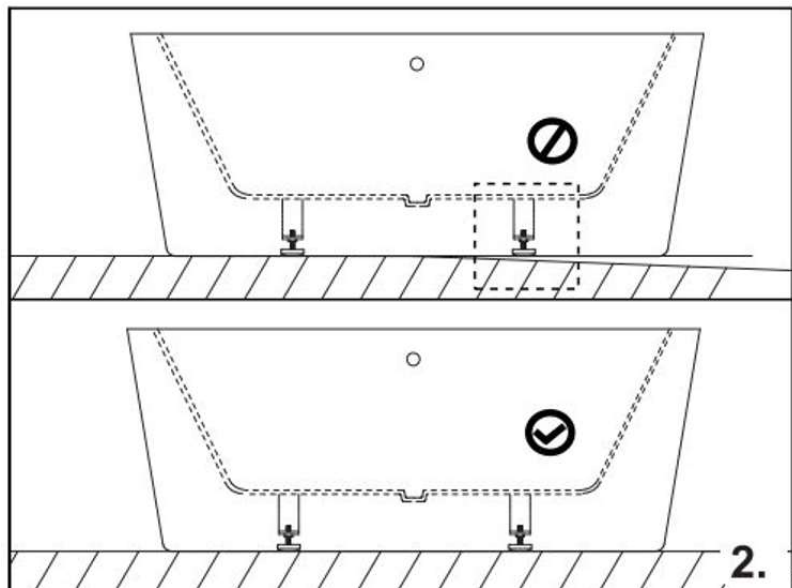


Silicone Sealant

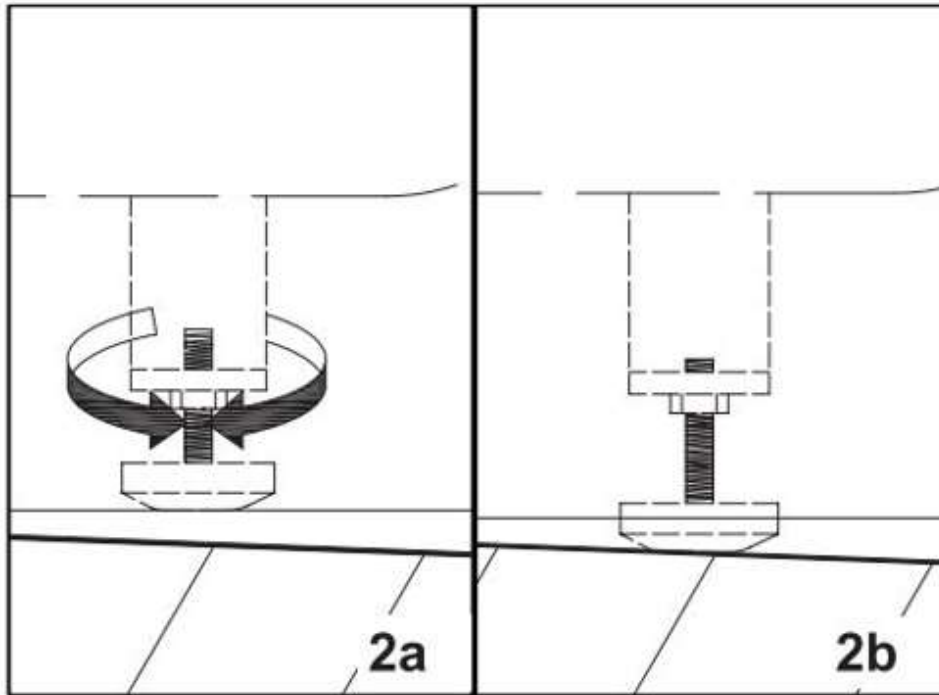
INSTALL STEPS:



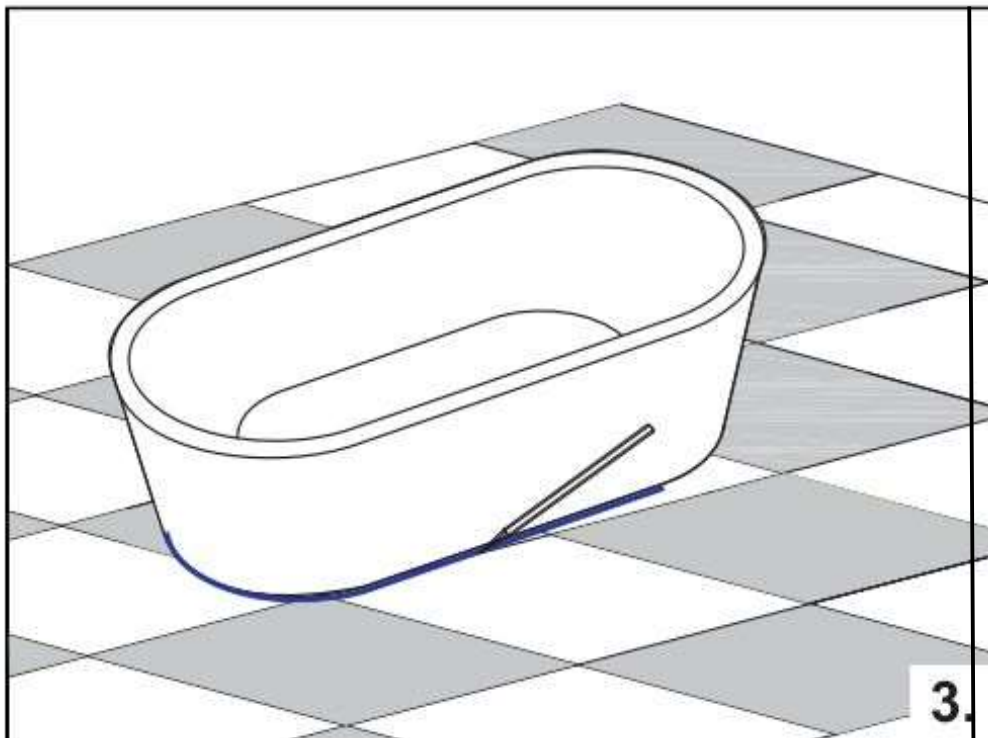
- Ensure legs are adjusted in line with the base of bath.



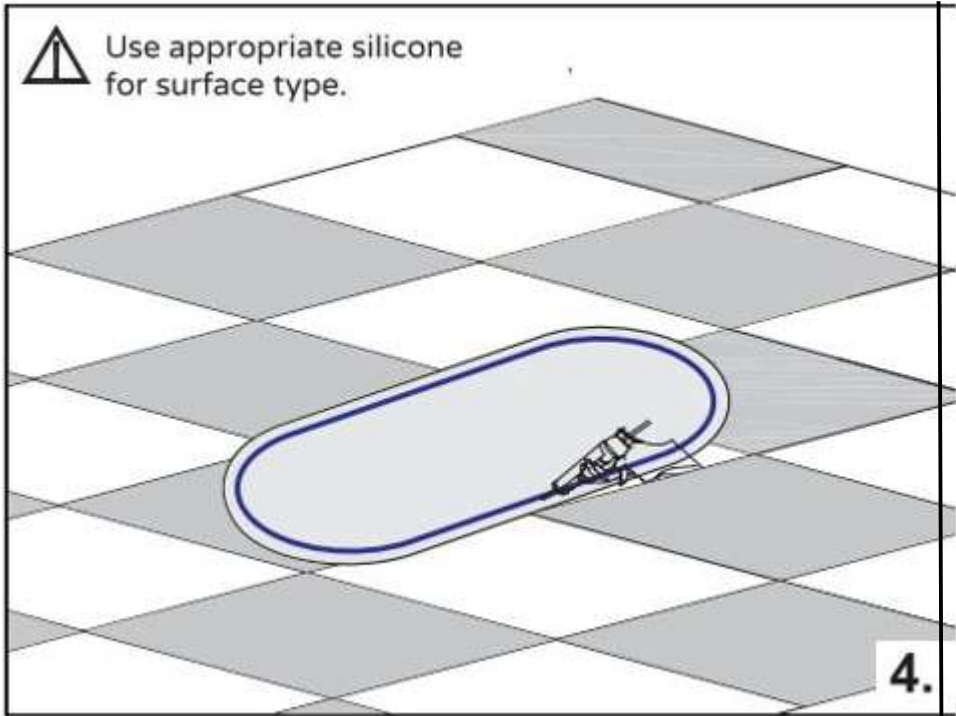
- Check that bath sits flat; if required, adjust legs to compensate for floor level.



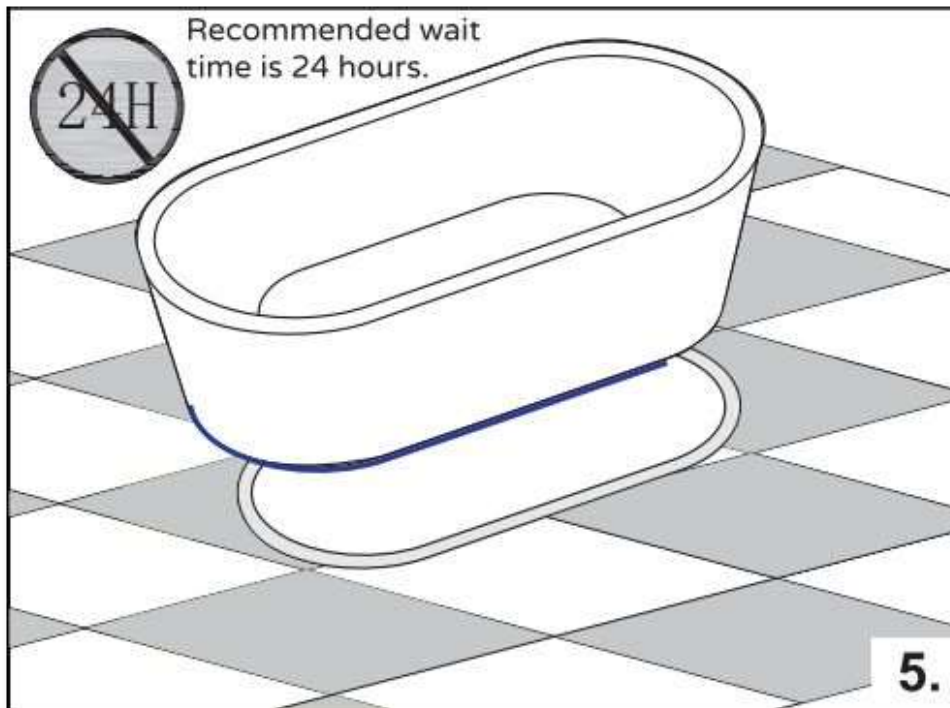
⚠ • Before step 3, set waste connection position.



• With pencil, trace outline of bath.

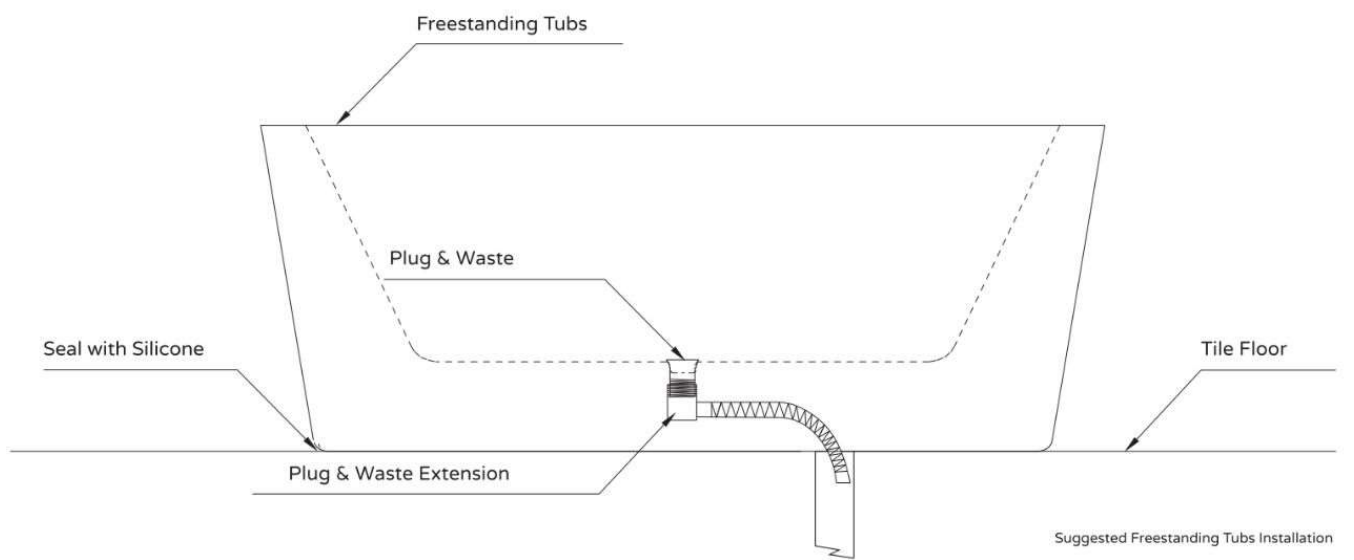


- Apply a thick bead of silicone within bath outline



- Set bath in final position

▲ This installation guide does not include details of waste connection. Final decision about installation of waste connection should be taken by a contractor



• BACKSIDE OF FREESTANDING BATHTUB



Receive Your Bath

A)Unpack and check for damage.

After receiving your bath, please unpack and remove all covering, checking whether there is any damages. Repack the bath if it is not being immediately installed. It will be rejected any claim for damage if not notified in a timely manner.

* B) Protect your bath

* Before commencing installation, ensure the bath is completely protected, leave covering in place until the bathroom is complete. Scratches and cracks incurred during installation are not covered by the warranty.

*

Cleaning & Maintenance:

*

* To preserve the polished surface, after using your bath, clean with soft cloth and warm soapy water to wash away any body oils or soap residue that forms a ring tide mark

* Do not use powders, pastes, crème cleaners, thinners, window cleaning prays or dry cleaning liquid, etc

* When coloured essentials oils are used, first test that the colour won't stain your bath. Always add oils into a bath full of water. Never pour them into a empty bath.